



**ECO
LIGHT**
INDUSTRIAL LED

**LED
SOLAR
GARDEN
LIGHTS**

LEDSB80R

LEDSB80R Solar LED Garden Light

The LEDSB80R is an LED brick light that runs on 100% solar energy, requiring no external power source. It is not only extremely cost-effective over its lifetime, with no ongoing energy costs, but also quick and easy to install and maintain.

With its simple and modern design, and no reliance on cables, the LEDSB80R makes an excellent addition to gardens and walkways. Its hardy polycarbonate and stainless steel construction is built to withstand the elements and last for years, and its versatility allows for countless placement options.

FEATURES

- No energy consumption costs
- Powered by environmentally-friendly solar energy
- No CO₂ emissions
- Robust polycarbonate and stainless steel construction
- Self-contained - no external power source needed
- Effective light output
- Quick and easy installation
- No cable laying work or regular maintenance required
- Long lifespan
- Cost-effective over its lifespan
- Suitable for gardens, parks, walkways, and installations where creative lighting is desired

AVAILABLE COLOURS



20 Neilpark Drive
East Tamaki
Auckland.
NEW ZEALAND
phone: 64 9 272 5619



SPECIFICATIONS

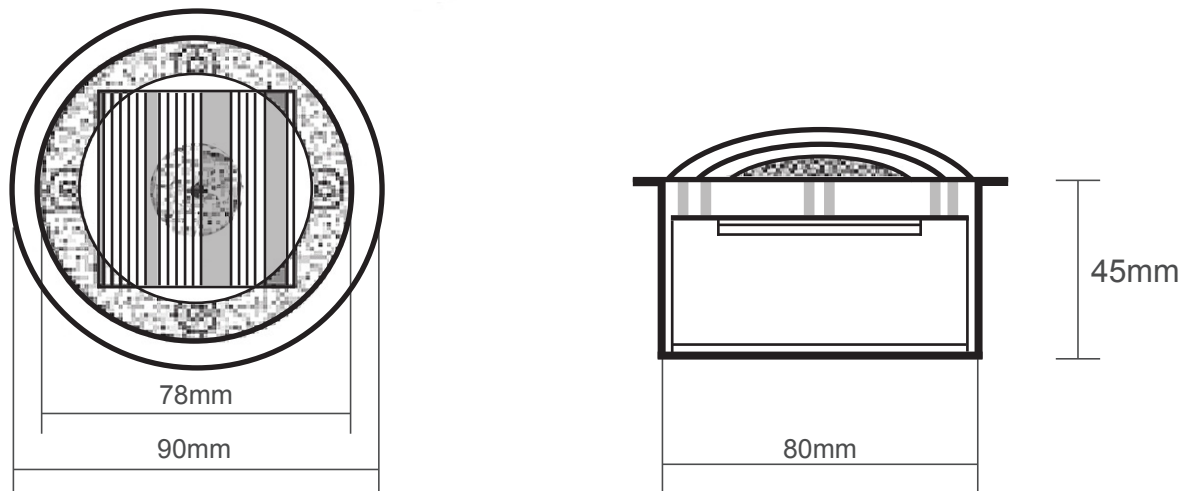
PRODUCT CODE	LEDSB80R
Size	Ø 80mm x H 45mm
Weight	500g
Material	Stainless Steel, Polycarbonate
Solar Cell	0.4W
Battery	LifePO4 (1,000mAh) or Hybrid
Operating Temperature	-20°C ~ +65°C
Illumination (lux)	White Standards (120 lux)
Operating Time	Over 5 days (fully charged)
Life Expectancy	7-10 years
Waterproof Rating (IP)	IPX8
Colour	Red, Green, Blue, Yellow, White

When ordering add suffix to determine colour:

- RD = Red
- GN = Green
- BL = Blue
- YL = Yellow
- WH = White

 **ECO
LIGHT**
www.ecolight.co.nz

DIMENSIONS



PRODUCT IMAGES

